

SV3A-4R

FEATURES

- ✘ Through hole pin type
- ✘ Flush Actuator
- ✘ 20,000 steps mechanical Life

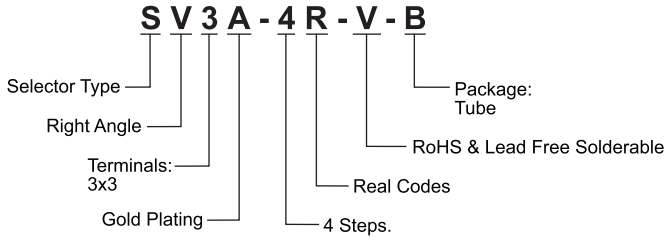
APPLICATION

- ✘ Building & home automation
- ✘ White goods
- ✘ Electronic instrument

SPECIFICATION

Contact Rating	25mA, 24V DC
Contact Resistance	100mΩ max.
Insulation Resistance	100MΩ min. 250V DC
Dielectric Strength	250V AC/1 minute
Operating Force	200gf-cm max.
Operating Life	20,000 steps
Operating Temp.	-25°C ~ +80°C
Storage Temp.	-40°C ~ +85°C

HOW TO ORDER

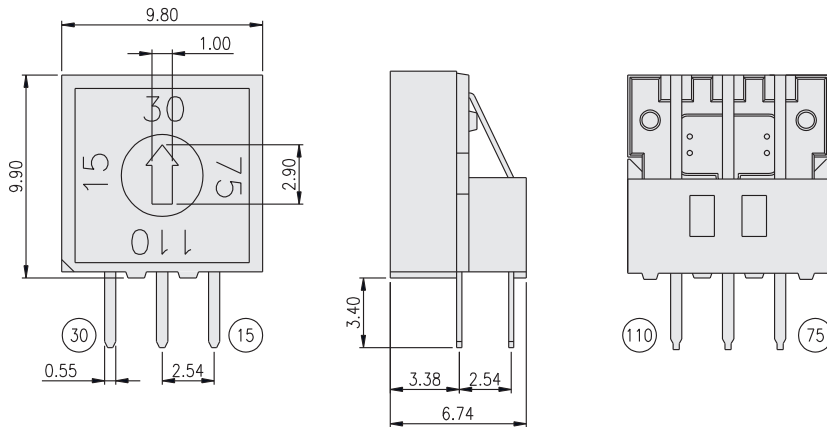


PACKAGE

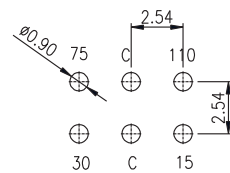
<Tube>
48 pcs

ROTARY CODED SWITCH

SV3A-4



○ ON				
● OFF				
POSITION	CODE			
15	○	●	●	●
30	●	○	●	●
75	●	●	○	●
110	●	●	●	○



P.C.B. LAYOUT